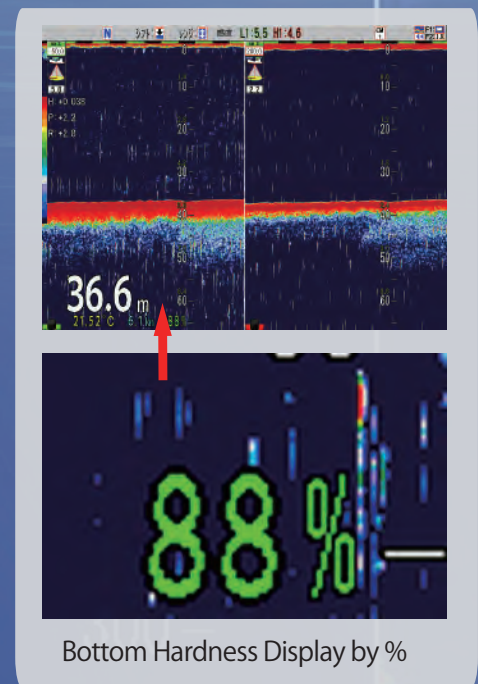
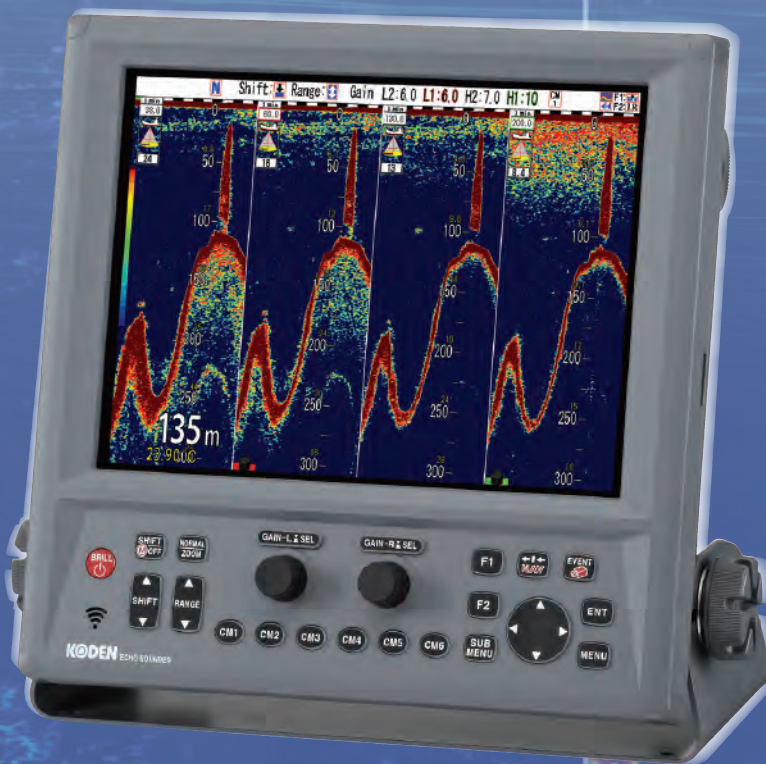


12.1-inch Color LCD Echo Sounder / Broadband **CVS-872D**

(((Broadband)))

Ultimate broadband sounder
with digital processing



Features

Simultaneous and variable quad frequency sounder enables clear target discrimination.

Four frequencies are selectable in 0.1 kHz step by using the dedicated transducer. Six Condition Memory keys for immediate calling of your preferred setups.

Extremely high resolution and low noise materialized by Koden Digital Filtering (KDF™) technology.

SPECIFICATIONS

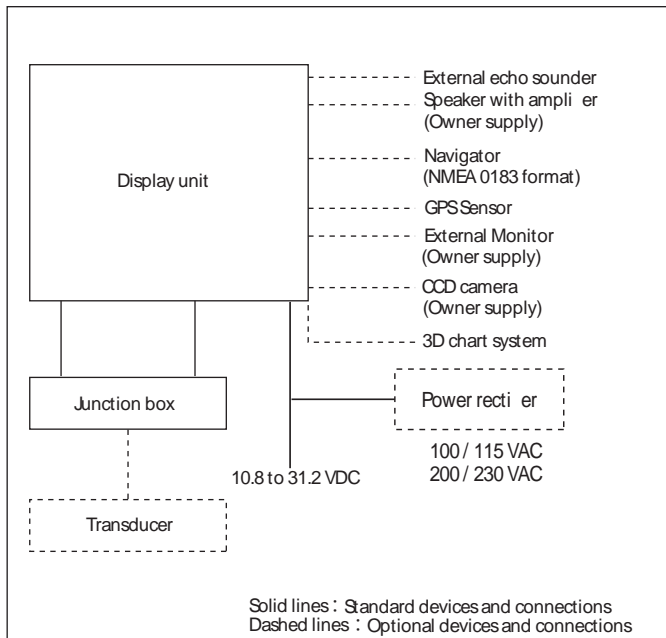
Model	CVS-872D
Display size and type	12.1 inch color XGA LCD
Display resolution	1024 x 768 pixels(XGA)
Basic range	1 to 3000 (m), 5 to 8000 (ft), 1 to 1700 (f.m), 1 to 2000 (l.f.m) (8 ranges can be set to users choice)
Zoom range	1 to 260 (m), 5 to 960 (ft), 1 to 140 (f.m), 1 to 180 (l.f.m)
Range unit	m, ft, f.m, l.f.m
Shift step	Selectable: Numerical value, Range ratio 1/5, Registered value (8 types), Shift digit input, Range dependent
Presentation modes	High frequency, Low frequency, 1 to 4 frequency, Zoom image (Bottom lock, Bottom discrimination, Bottom zoom, Zoom, Bottom follow zoom), Nav mode, Vertical split, Horizontal split, Mix, A-scope can be displayed at all above modes
Presentation colors	64 colors, 16 colors, 8 colors, Monochrome
Back ground colors	Marine blue, Blue, Dark blue, Black, White, Night mode, Other 4 colors
Alarms	Bottom, Fish, Temperature*, Speed**, Arrival**, XTE**
Image speed	12 steps & stop
Functions	Interference rejection, Color erase, VRM, Noise reduction, White line, Draft correct, Water temperature correct, Boat speed correct, Store image (500 images), Sona-Tone™, Homing, Event memory, Simple plotter, Panel illumination, Power reduction, External trigger, Detection area display, OM key, Water Temp. graph, Individual range operation, Individual shift operation, Heaving compensation, Bottom Hardness display
Auto functions	Range, Shift, TVG, TX Power, White Line
Function registration	A scope, Shift digit input, Interference rejection, Color erase, Noise reduction, White line, Background color, TVG adjust, VRM interval, Image recall, Image swap, Image Title, Sona-Tone™, Nav start, Frequency, Event key usage, Key lock, Depth unit, Color tone, B.D. mode
Language	Traditional Chinese, Simplified Chinese, English, French, Greek, Italian, Japanese, Korean, Spanish, Thai, Danish
Input data formats and sentences	NMEA0183 Ver.1.5 / 2.0 / 3.0 GGA, GLL, HDT, MTW, MWD, RMC, VHW, VTG, ZDA, HEV, HPR, PPEC0IVE, PPECATT, PKODG21
Output data formats and sentences	NMEA0183 Ver.2.0 / 3.0 (DBT : Ver.1.5) DBT, DPT, GGA, GLL, HDT, MTW, MWD, RMC, TLL, VHW, VTG, ZDA, PKODS4, Olex, Nobeltec
NMEA ports	Total 2: input and output
Power supply	10.8 to 31.2 VDC
Power consumption(24V DC)	60 W or less

Environmental

Operating temperature	-15°C to +55°C
Water protection	IPX5
Store temperature	-30°C to +70°C

- * Requires data from Temp sensor or external Temp data input
** Requires data from GPS sensor

CONNECTIONS



EQUIPMENT LIST

Standard equipment	Display unit with hard cover, Mounting bracket	1 set
	DC power cable, Junction box, Spare parts	1 set
	Operation manual, Installation manual, Quick reference	1 set
Essential option	Transducer	1 set
Options	Connection cables for external devices, Power rectifier	

TRANSDUCER

Broadband type

Model	Frequency	Output power (RMS)
TDM-052A	38 to 75 kHz and 130 to 210 kHz	3 kW
TDM-062A	38 to 75 kHz and 85 to 135 kHz	3 kW
TDM-083	28 to 60 kHz and 130 to 210 kHz	3 kW
TDM-091 / 091D	42 to 65 kHz and 130 to 210 kHz	1 kW
TDM-071	35 to 65 kHz	1 kW

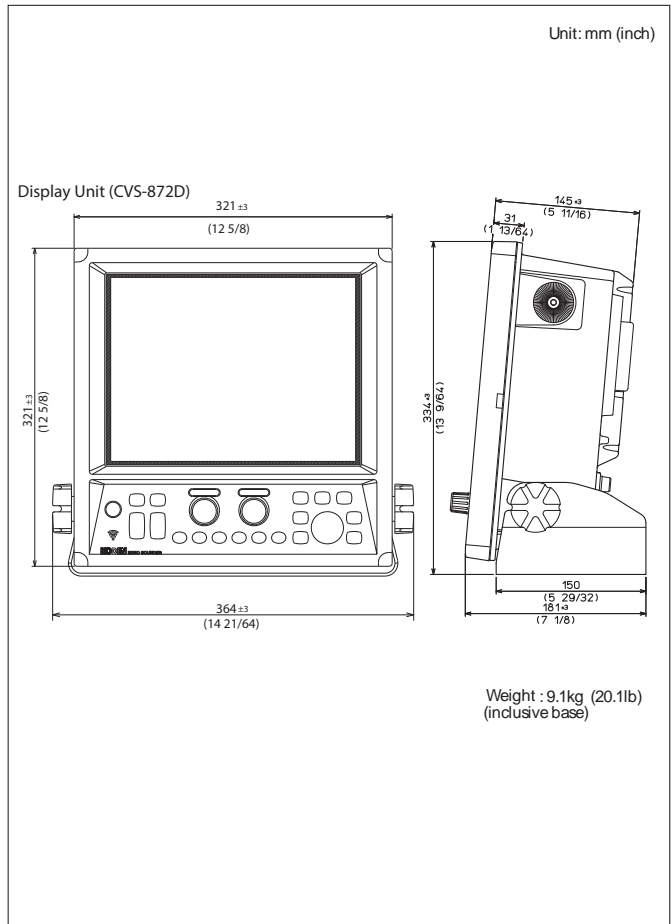
Selectable frequency range : 24 to 240 kHz, 0.1 kHz step

Normal type

Model	Frequency	Output power (RMS)
TD-284 / 284A	28 kHz	3 kW
TD-504T / 504F	50 kHz	3 kW
TD-501C	50 / 200 kHz	1 kW
TD-501T-3B	50 / 200 kHz	1 kW
TD-754	75 kHz	3 kW
TD-66	200 kHz	1 kW

- The number of display screen depends on Transducer.

DIMENSIONS AND WEIGHT



- Design and specifications are subject to change without notice.

KODEN Kodan Electronics Co., Ltd.

Tamagawa Office:
2-13-24 Tamagawa, Ota-ku, Tokyo, 146-0095 Japan
Tel: +81-3-3756-6501 Fax: +81-3-3756-6509
Uenohara Office:
5278 Uenohara, Uenohara-shi, Yamanashi, 409-0112 Japan
Tel: +81-554-20-5860 Fax: +81-554-20-5875

overseas@koden-electronics.co.jp

www.koden-electronics.co.jp



Safety precaution

To ensure proper and safe use of the equipment, please carefully read and follow the instructions in the Operation Manual.

For details, please contact: